

Product description

Standard angled striking plate with latch bolt aperture and dead bolt cutout.

Technical data

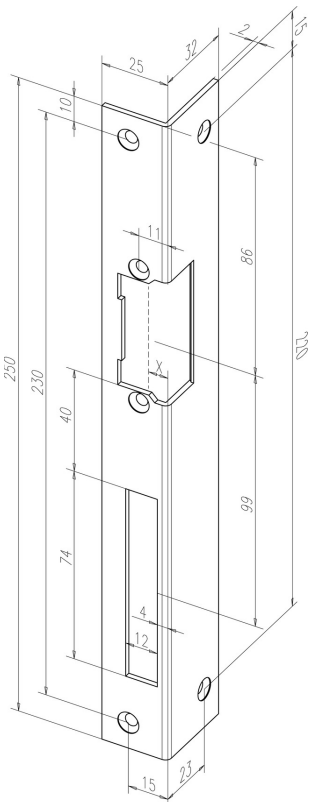
Length	250 mm
Width	25 mm
Thickness	2 mm
Depth	32 mm
Dead bolt cutout	Yes
Color	40
Color	Smoothed, galvanised

Variants that can be ordered

Order number	Description
-----06640-04	250 x 25/32 x 2 mm, ground and galvanised, DIN L
-----06640-05	250 x 25/32 x 2 mm, ground and galvanised, DIN R



Left handed shown in diagram - Right handed is the reverse



Left handed shown in diagram - Right handed is the reverse