

## ABLOY® MP520, MP522

### High security DIN standard motor lock for wooden and metal doors

#### Product description

High security locks MP520, MP522 are used in environments where convenience, higher security or high durability is needed. Two auxiliary locks with hook bolts offer even higher security level to demanding customers. The integrated monitoring contacts from the lock can be connected to the different systems.

Deadbolt and hook bolts are withdrawn inside the lockcase by motor and double action latch is released, when electrical control is on. Door is opened from outside by using door pull. When door closes, dead bolt and hook bolts are thrown out automatically, double action latch is blocked and the lock case is secured in four points.

#### Overview of Advantages

- Motorized bolt traction for push&pull and door automatics use
- Day/night mode
- Electric anti-tampering: if deadbolt is thrown out when door is not closed, it is withdrawn in automatically.
- Mechanical automatic locking system
- Non handed, left / right
- Burglary-resistant due to dead bolt with 20 mm throw and auxiliary hook bolts
- Exit function by inside handle
- Suitable for fire doors
- Mechanical override with cylinder
- Back-up function: If deadbolt and hook bolts are withdrawn by motor and then power is cut, deadbolt and hook bolts are thrown out immediately (closed door) or allowed to throw out (when door is closed).
- Monitoring functions
  - Door status
  - Handle down
  - Bolt deadlocked
  - Bolt in
  - Key cylinder used
  - Sabotage loop

#### Scope of delivery

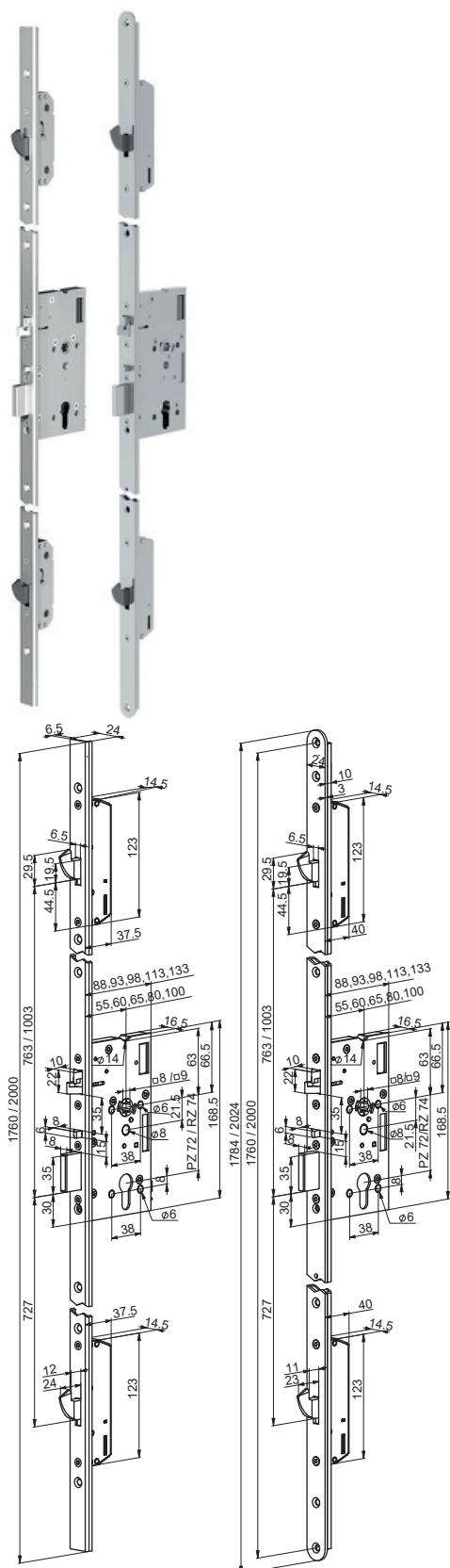
- 1 pc lock case
- 1 pc control unit EA420
- Operating manual

#### Ordered separately

- Strike plate (e.g. EA324 / EA306)
- Cable EA218 (6m) / EA219 (10m)
- Lead cover EA280/281
- Handle/pull set (e.g. EH006)
- Cylinder (e.g. CY321T)

#### Technical data

Handing	Non-handed, left/right
Exit function	Yes
Mechanical cylinder override	Yes
Latch	Double action latch
Dead bolt	Yes, 20mm
Hook bolts	24mm
Forend	U-shape (metal doors) or flat (wooden doors)
Input operating voltage	12-24 VDC 12-18 VAC
Rated current consumption	12 VDC idle 80mA, normal drive 450mA, max. 1300mA 24 VDC idle 40mA, normal drive 220mA, max. 600mA
Relay capacity (monitoring contacts)	Max. 0.8 A 30 V AC/DC resist. 20 W
Suitable for fire doors	Yes
EN 14846:2008	3S5F-L611
EN 179:2008	376B1342AB
EN 1125:2008	376B1321AB



This content is protected by Intellectual Property Rights Laws. The title to the content shall not pass to you, and instead shall remain with Abloy Oy or a third party holding the title. Abloy develops continuously the products and solutions offered. Therefore, the information contained in the document is subject to change without notice. ABLOY PROVIDES THIS CONTENT ON AN "AS IS" BASIS WITHOUT ANY WARRANTIES OF ANY KIND, EXPRESS, IMPLIED, OR STATUTORY."